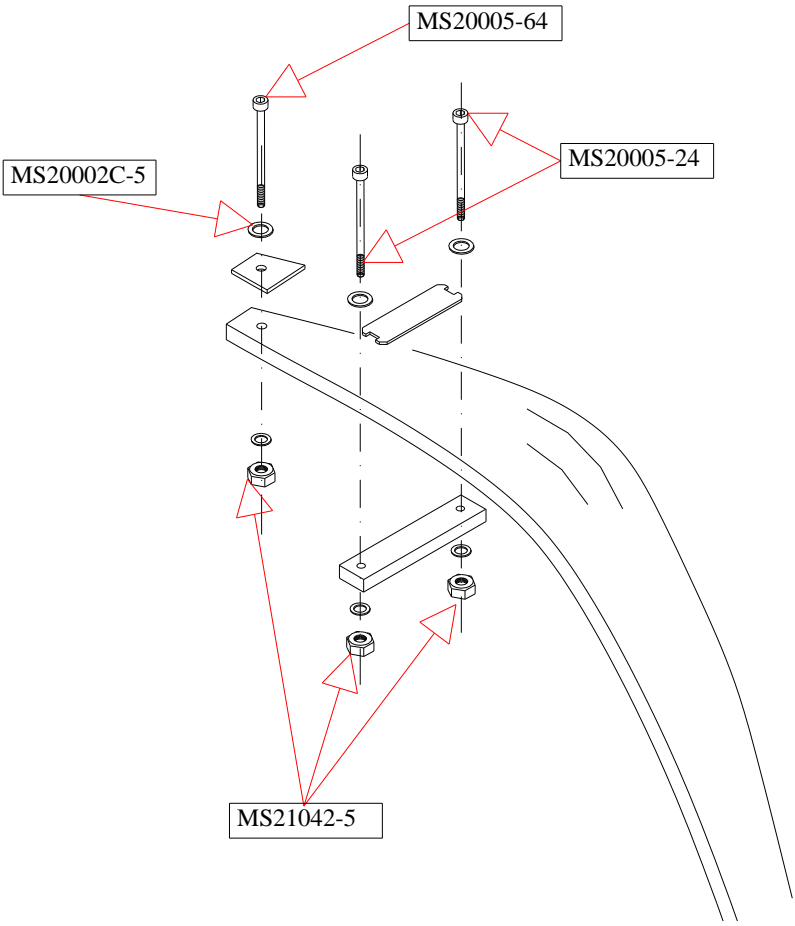




N	INSTRUCTIONS															
1	<p>For P92-J and P92-JS (Fig. 1) is available the following kit:</p> <table border="1" style="width: 100%; border-collapse: collapse;"> <thead> <tr> <th style="text-align: center;"><i>Description</i></th> <th style="text-align: center;"><i>Part number</i></th> <th style="text-align: center;"><i>QTY</i></th> </tr> </thead> <tbody> <tr> <td>Central bolt</td> <td>MS20005-64</td> <td style="text-align: center;">2</td> </tr> <tr> <td>Lateral bolt</td> <td>MS20005-24</td> <td style="text-align: center;">4</td> </tr> <tr> <td>Self-locking nut of 7.9</td> <td>MS21042-5</td> <td style="text-align: center;">6</td> </tr> <tr> <td>Washer of 7.9</td> <td>MS20002C-5</td> <td style="text-align: center;">6</td> </tr> </tbody> </table> <p style="text-align: center;">Tab.1</p>  <p style="text-align: center;">Fig. 1</p>	<i>Description</i>	<i>Part number</i>	<i>QTY</i>	Central bolt	MS20005-64	2	Lateral bolt	MS20005-24	4	Self-locking nut of 7.9	MS21042-5	6	Washer of 7.9	MS20002C-5	6
<i>Description</i>	<i>Part number</i>	<i>QTY</i>														
Central bolt	MS20005-64	2														
Lateral bolt	MS20005-24	4														
Self-locking nut of 7.9	MS21042-5	6														
Washer of 7.9	MS20002C-5	6														

2 For P2002-JF aircraft is available the following kit:

<i>Description</i>	<i>Part number</i>	<i>QTY</i>
Central bolt	MS20006-27	2
Lateral bolt	MS20005-30	4
Self-locking nut of 7.9	MS21042-5	4
Self-locking nut of 9.5	MS21042-6	2
Washer of 7.9	MS20002C-5	4
Washer of 9.5	MS20002C-6	2

Tab. 2

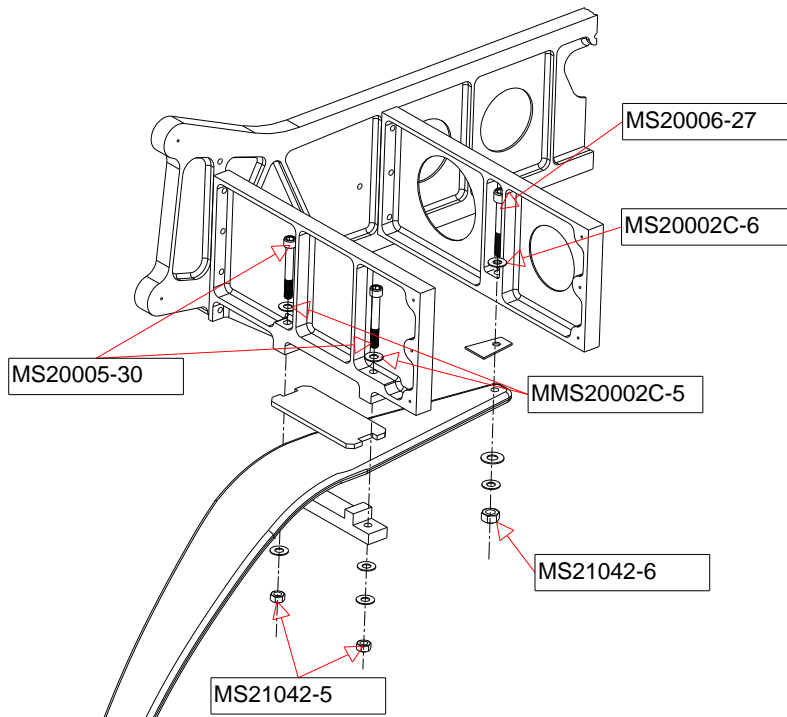


Fig. 2

**For further information please contact TECNAM:**

Tel 0039 0823 620134

Fax 0039 0823 622899

E-mail [m.oliva@tecnam.com](mailto:m.oliva@tecnam.com) or [r.insero@tecnam.com](mailto:r.insero@tecnam.com)